

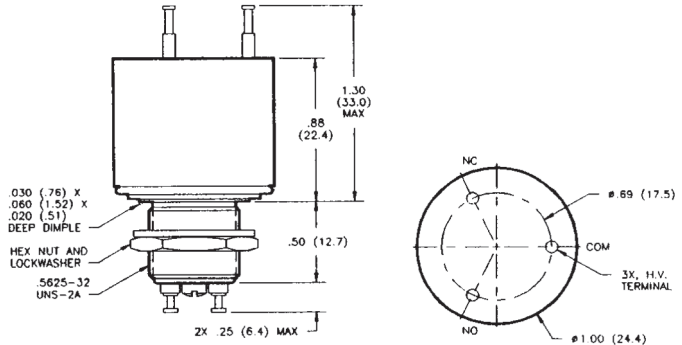
**HC Series — 8 kV Relays**

**HC-2**  
No Load Switching

**HC-4**  
Make & Break Load Switching

**Product Facts for HC-2**

- Vacuum dielectric and copper contacts for high current carry rating of 25 Amps
- Not designed for power switching
- Stable, low contact resistance
- Meets requirements of MIL-R-83725



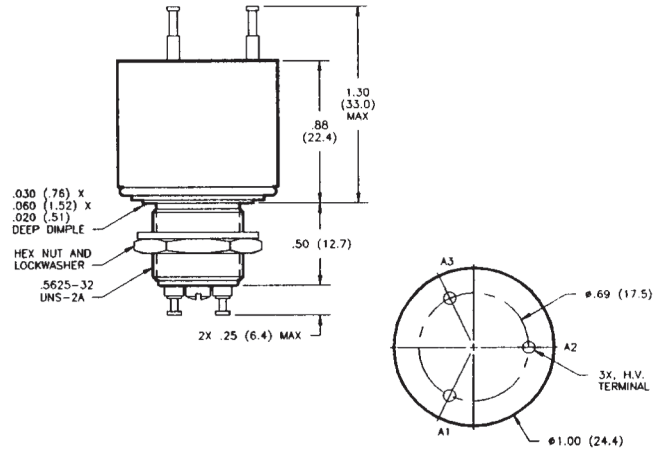
**Product Facts for HC-4**

- Tungsten contacts for long life in power switching applications
- Meets requirements of MIL-R-83725
- Vacuum dielectric for arc suppression when making or breaking a load

**HC-6**  
Make Only Load Switching

**Product Facts for HC-6**

- Tungsten contacts for switching high in-rush loads
- SF-6 gas-filled for capacitive discharge applications
- Suitable for ESD testing applications
- Tungsten contacts for long life in power switching applications



**Product Specifications for HC-2, HC-4 and HC-6**

**Contact Arrangement** — SPDT  
**Contact Form** — C  
**Test Voltage, DC or 60 Hz (Peak)** — 10 kV  
**Rated Operating Voltage (Peak)** — DC or 60 Hz — 8 kV  
**Continuous Carry Current, Max.** — DC or 60 Hz — HC-2 — 25 A RMS  
 HC-4 — 15 A RMS  
 HC-6 — 8 A RMS  
 Coil Hi-Pot (Vrms, 60 Hz) — 500 A RMS

**Contact Capacitance** —  
 Between Open Contacts — N/A  
 Open Contacts to Ground — N/A  
**Contact Resistance, Max.** —  
 HC-2 — 0.01 ohm  
 HC-4 — 0.02 ohm  
 HC-6 — 0.5 ohm\*

**Operate Time, Max.** — 6 ms  
**Release Time, Max.** — 6 ms

**Shock, 11ms, 1/2 Sine (Peak)** — 50 g

**Vibration** —  
 Peak — 10 g (55 to 2000 Hz)

**Operating Ambient Temperature Range** — -55°C to +125°C

**Mechanical Life** —  
 HC-2 and HC-4 — 2 million cycles  
 HC-6 — 1 million cycle

**Weight, Nominal** — 39.69 g (1.4 oz.)

\*Contact resistance for gas-filled relays is measured at 28 Vdc, 1 Amp

For factory-direct application assistance, dial 800-253-4560, ext. 2055, or 805-220-2055.

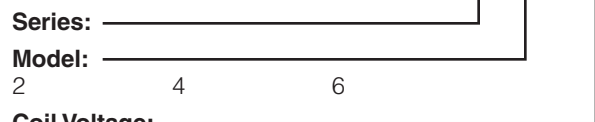
**Coil Data**

Nominal Volts DC	12 Vdc	26.5 Vdc	115 Vdc
Pickup, Max.	8 Vdc	16 Vdc	80 Vdc
Dropout	.5-5 Vdc	1-10 Vdc	5-50 Vdc
Coil Resistance (±10%)	80 Ω	335 Ω	6000 Ω

Ratings listed are for 25°C, sea level conditions

**Ordering Information**

**Sample Part Number** ▶ HC- 6 /12Vdc



**Coil Voltage:**  
 Blank = 26.5 Vdc  
 /12Vdc = 12 Vdc  
 /115Vdc = 115 Vdc